

MECHANICAL CONNECTORS

- LOW VOLTAGE CONTRACTOR SERIES LUGS & LINKS



TNLVC – Connector Links



TNLVL – Connector Lugs

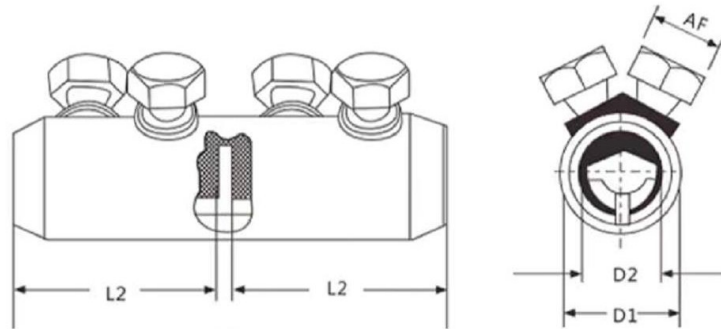
The TransNet LV mechanical connector range includes both lugs and links for use on Low Voltage (LV) connections. These connectors are range taking which helps to minimise the inventory required to cover the majority of LV connections and terminations in NZ.

Made from high strength, tin plated aluminium alloy, these connectors are made to the highest international standards and offer excellent reliable connections for LV installations up to 1kV.

FEATURES

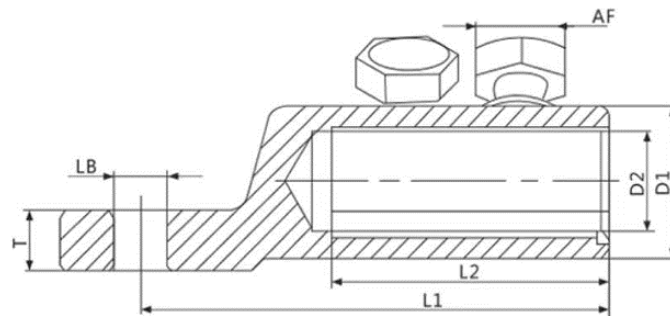
- For connections up to 1kV
- Perfect for stranded and solid Aluminium and Copper LV cable
- Tested to IEC61238-1-3:2018
- Range taking for reduced inventory
- Covers cable sizes 10-630mm²
- Lugs and Links
- Preset torque shear head bolts for correct connection every time

TNLVC – Connector Links



CAT No.	Cross Section (mm ²)	D1	D2	L1	L2	Bolt Qty	Bolt Size A/F (mm)
TNLVC-10/35	10-35	19	8.5	45	20	2	13
TNLVC-25/95	25-95	24	12.8	65	30	2	13
TNLVC-35/150	35-150	28	15.8	80	35	2	17
TNLVC-95/240	95-240	33	20	125	60	4	19
TNLVC-120/300	120-300	37	24	140	65	4	20
TNLVC-185/400	185-400	42	25.5	170	80	6	22
TNLVC-500/630	500/630	46	30	190	90	6	27

TNLVL – Connector Lugs



CAT No.	Cross Section (mm ²)	D1	D2	L1	L2	LB	Bolt Qty	Bolt Size A/F (mm)
TNLVL-25/95-13	25-95	24	12.5	60	30	13	1	13
TNLVL-35/150-13	35-150	28	16	86	35	13	1	17
TNLVL-95/240-13	95-240	33	20	112	60	13	2	19
TNLVL-120/300-13	120-300	37	24	115	65	13	2	22
TNLVL-185/400-13	185-400	42	25.5	135	81	13	3	22
TNLVL-500/630-13	500-630	50	33	154	90	13	3	27